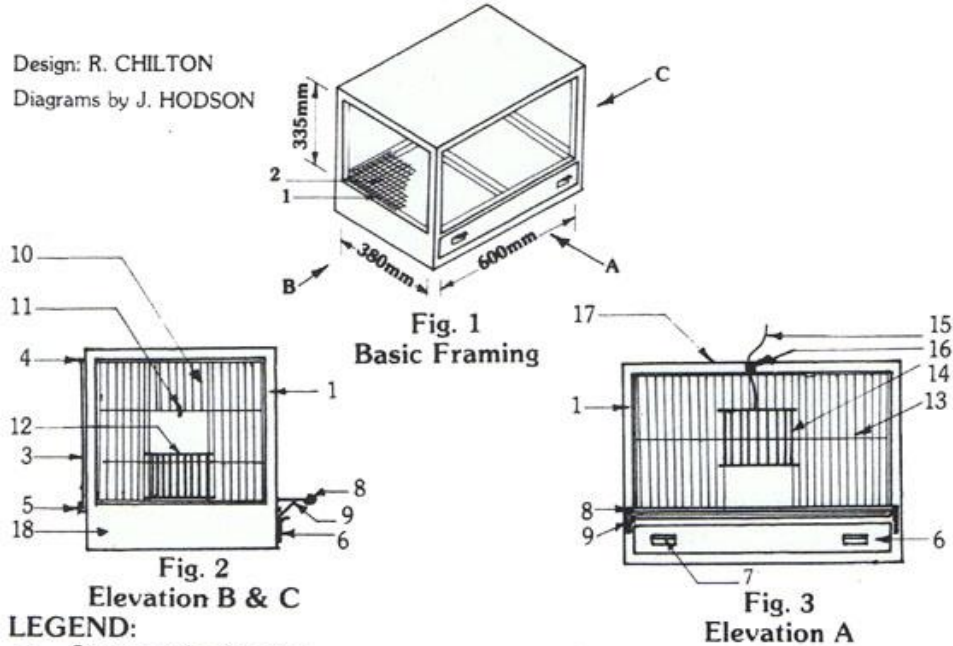


An Aviary Seed Trap

The Question Box at the General Meetings has often contained queries relating to catching birds in a large, or heavily planted, aviary. The most frequently received reply is the recommendation to use a seed trap. As the method of constructing such a trap has attracted some attention the following brief explanatory notes, and diagrams, for a seed-trap suitable for finches and small parrots are offered:

The measurements shown are between the framing to allow the use of standard cage-fronts.

Design: R. CHILTON
Diagrams by J. HODSON



LEGEND:

1. Square tube framing
2. 10mm square mesh floor fixed to framing above the tray (6)
3. Hinged wire cage-front to allow seed hopper to be inserted.
4. Hinge fixing for cage-front door (3).
5. Turn button to fix cage-front door (3)
6. Metal tray to catch seed husks, etc.
7. Pull handles fixed to metal tray (6)
8. Perch across front.
9. Metal curtain brackets to fix perch (8) to front of trap.
10. Standard wire cage-front cut down in length to form end of trap.
11. Hook to hold door (2) shut when trapping birds.
12. Drop-down to open safety door.
13. Standard wire cage-front.
14. Drop-down to close trap door.
15. Nylon fishing line to outside of aviary, to control trap door.
16. Guide fixed to frame for fishing line (15).
17. Flat iron top, useful for placement of live-food dishes, etc.
18. Flat iron surround.

NOTE: The two side cage-fronts are installed upside down so that the doors are usually open; this is a safety feature to allow the birds access if the main door should accidentally close. The trap must be the only feeding point available in the aviary so that the birds are used to going in and out. If installing such a trap for the first time place an alternative food source in an easily accessible place until the birds overcome their wariness of the trap. The two side doors **MUST** be kept open for normal use.